

CAPPELOTTO

by SEWER EQUIPMENT



GENESIS

WATER RECYCLING SEWER CLEANER

BEST PRODUCTS, BEST LOCAL SUPPORT

CAPPELLOTTO *by* **SEWER EQUIPMENT**

GENESIS WATER RECYCLING SEWER CLEANER



The GENESIS water recycling sewer cleaner is the result of decades of experience, leading to the optimization of technology allowing water to be saved, separated and reused. Constructed for cleaning sewers and ducts, the GENESIS works rapidly, efficiently and economically, recovering the used water for reuse on a continuous cycle.

Water recycling is not a new concept. Europeans have been utilizing recycling technology to maintain underground sewer systems for many decades. The recycling concept has been adapted in the U.S. for the last 30 years with marginal success, as American recycling technology typically requires the use of complex mechanical filtration. The exclusive integrated GENESIS Recycling System utilizes a simple, passive separation approach which separates the water from the sludge by means of sedimentation utilizing simple gravity. It is through the spread of this technology that the GENESIS has been contributing to safeguarding our planet's water resources for many decades.

The U.S. industry's solution to water recycling has been to modify existing sewer cleaning products by adding a bolt on recycling component. While effective when cleaning sanitary lines, the moment grease or thick sediment is introduced, the effectiveness of its mechanical filtration decreases significantly. Not only does it decrease, but in many cases, the filters become clogged and non-functional. Cappellotto by Sewer Equipment has taken a different approach. We provide customers with a purpose-built, application-specific machine that recycles water to clean sewers, regardless of the condition of the effluent being introduced into the system. Due to its simple, passive separation, the GENESIS keeps grease and heavy sediment separated from the refined water while cleaning more efficiently with less downtime, saving not only time, but money. The GENESIS from Cappellotto by Sewer Equipment is the simple answer to your sewer cleaning application needs. Sewer Equipment: Best Products, Best Local Support.

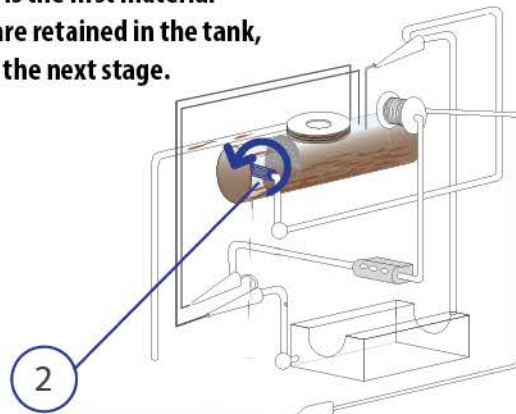
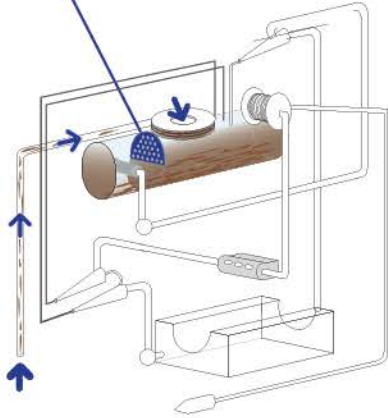


TOLL FREE 800.323.1604

GENESIS RECYCLER

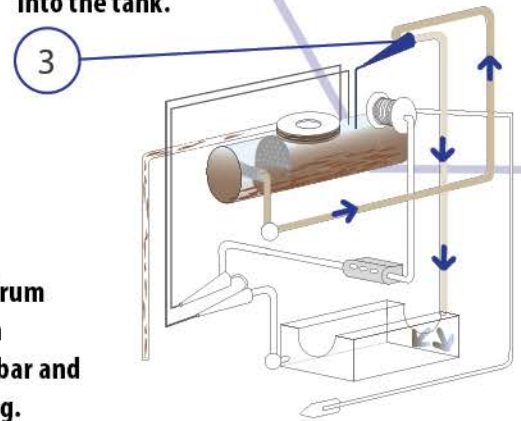
PASSIVE SEPARATION: THE GENESIS WATER RECYCLING SYSTEM

1 **PERFORATED SKIMMING WALL** is the first material separation phase. The solids are retained in the tank, while the sludge passes on to the next stage.

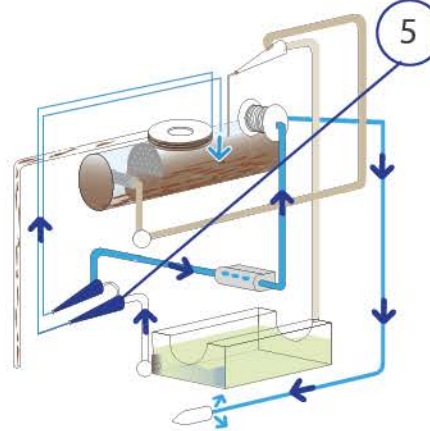
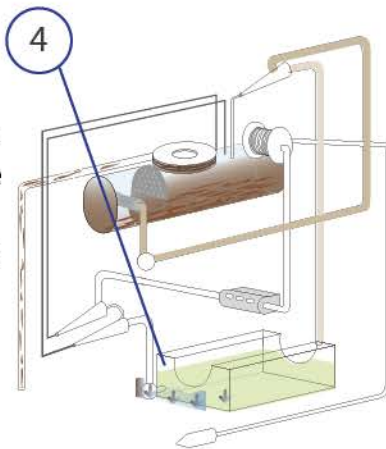


2 **SELF-CLEANING DRUM** that consists of a rotary drum located in the back door for ease of access when maintaining. An internal high-pressure jetting bar and brass scraper keep the drum clean while working.

HIGH CAPACITY CYCLONES are the separation centrifuge that reduces both the concentration and size of impurities contained in the water. The debris collected is discharged automatically into the tank.



EXCLUSIVE 5 COMPARTMENT SETTLING TANK separates fats, oils, and grease (FOG) as well as solids, separating the water from the impurities it contains. This sedimentation tank is the stage that guarantees the high quality water produced by the GENESIS recycling system.



5 **FINISHING CYCLONES** provides further refinement, capturing and discharging any residual impurities. After going through the GENESIS 5 stages of separation, the recycled water is free of all materials larger than 50 microns. The small size, quantity and consistency of anything remaining is not able to damage your plumbing, hoses or nozzles.

SMART Boom: Exclusive SMART Boom with 65 feet of boom hose and 40 foot working length

DEBRIS TANK: 13 yard capacity with stainless steel construction

WATER TANK: 1,500 gallon tank with stainless steel construction

WATER PUMP: 90 GPM @ 2,500 PSI

VACUUM SYSTEM: Positive Displacement blower 3000 CFM @ 27" Hg (6" system)

HOSE REEL: 1" hose @ 800' hose



Part No. 93122-00-F, revised 09/19

Contents are copyrighted by Sewer Equipment Company of America

Products subject to change without notification.

Actual products may not be an exact match to product as shown.

800.323.1604
www.sewerequipment.com

