

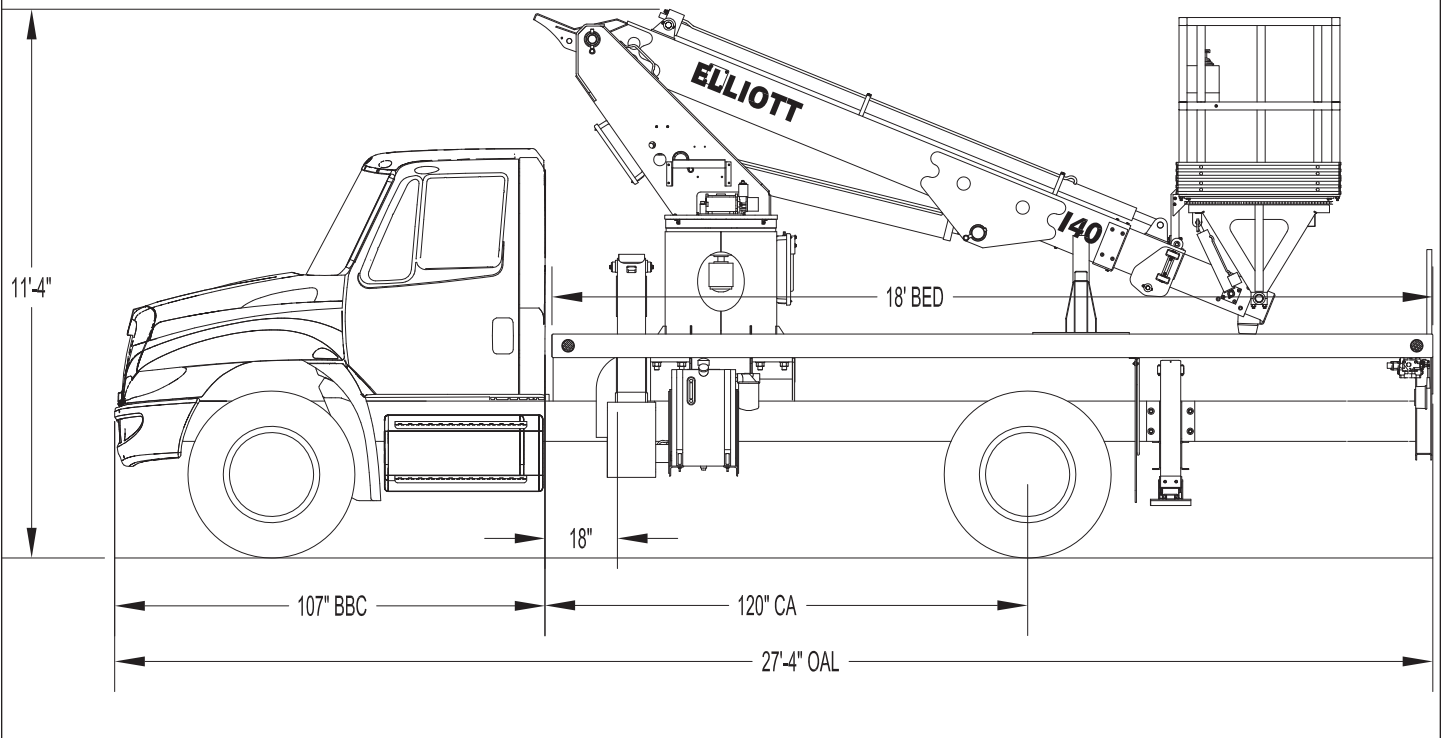
**ELLIOTT**  
EQUIPMENT COMPANY

# HiReach 46kV Insulated





### I40F SIDE VIEW DIAGRAM



- |                                        |                     |                                         |                    |
|----------------------------------------|---------------------|-----------------------------------------|--------------------|
| • <b>Working Height</b>                | 45'/13,7 m          | • <b>Powered Boom Sections</b>          | 3                  |
| • <b>Working Side Reach</b>            | 30'/9,1 m           | • <b>Overall Height</b>                 | 11'4"/3.5 m        |
| • <b>Platform Capacity</b>             | 600 lbs/272 kg      | • <b>Unit Weight (Bare)</b>             | 16,800 lbs/7620 kg |
| • <b>Platform Size</b>                 | 40x60 in/102x152 cm | • <b>Outrigger Spread Main</b>          | 12'/3,6 m          |
| • <b>Platform Type</b>                 | Insulated Top-Mount | • <b>Outrigger Spread Auxiliary</b>     | 8'/2,4 m           |
| • <b>Lifting Capacity (Main Winch)</b> | 3,650 lbs/1656 kg   | • <b>Front Gross Axle Weight Rating</b> | 10,000 lbs/4536 kg |
| • <b>Insulation Rating</b>             | 46kV Category C     | • <b>Rear Gross Axle Weight Rating</b>  | 19,000 lbs/8618 kg |

## TECHNICAL SPECIFICATIONS

**Maximum Platform Height:** 40' ground to platform floor.

**Working Range:** 45' max. height and 30' max. side reach.

**Work Platform:** 40x60" Insulated Top-Mount work platform with 40" high fiberglass rails, and a grated fiberglass floor. Equipped with two safety lanyard attachment loops and two safety harnesses and 72" lanyards. Platform capacity 600 lbs.

**Platform Leveling System:** Hydraulic "closed" system consisting of twin platform cylinders interacting with a boom-actuated master cylinder mounted in boom support turret. System provided with factory-set relief valves to compensate for oil expansion or overload during platform leveling operation. Remote releveling controls provided in platform and at ground controls to give precise releveling capability.

**Platform Controls:** Control signals to be transmitted into work platform via plastic fiberoptic "light conduction" from turret control station. Fiberoptic system powered by battery with a backup located in truck cab with 12-volt charger. Single joystick control with finger enable switch in platform to provide boom extension, elevation and rotation controls. Control cable shall extend through the column to the cable carrier and through a fiberglass tube in boom sections. Lower boom controls shall include all general control options including engine speed, start/stop, and upper controls with override.

**Lower Controls:** Mounted on curbside of turret.

**Outrigger Controls:** Parallel open-center stack valve for lever-operated control of right and left outriggers. The outrigger valves are mounted at the rear, under each corner of the bed with roadside valve controlling roadside outriggers and curbside valve controlling Elliott Equipment Company reserves the right to change the specification of any unit at any time without prior notice. This brochure is only a statement of general specifications on the date of this publication. For more detailed info on specific Elliott trucks go to [www.elliottequip.com](http://www.elliottequip.com)

curbside outriggers.

**Outriggers:** "A" type out-and-down main outriggers with 12' spread. "A" type underslung secondary outriggers with 8' spread.

**Frame:** One piece, all welded, box-type fabrication with integral outrigger mounts.

**Turret:** Reverse offset turret is one-piece weldment mounted on turret box. Turret rotates on large diameter ball bearing.

**Rotation:** Continuous turret rotation with no stops. Hydraulic motor drives turret through self-locking gear box.

**Boom:** Steel rectangular tube sections and one fiberglass section 9" high x 7" wide with a 3/4" wall section. Assembly includes heavy-duty cylinder fittings, pivot pins, and replaceable wear pads.

**Boom Extension:** Two opposing "piggyback" extension cylinders extend the boom sections.

**Lift:** One single-acting full displacement, long stroke cylinder, provides smooth and stable boom elevation. Holding valve prevent boom from falling in event of hose failure.

**Cylinders:** All cylinders use microhoned cylinder tubing, chrome shafts, top grade packing and protective rod wipers. Cylinder-mounted holding valves provided on all load-holding cylinders.

**Hoses:** All high pressure hoses are wire braid reinforced with a minimum safety factor of 4 to 1.

**Oil Tank Capacity:** 35 gallon mounted to truck frame on roadside.

**Hydraulic System:** Operating pressure approximately 2,500 PSI. System is parallel open center type and is equipped with liquid-filled pressure gauge. Oil is supplied to upper cylinders through hydraulic union in center of turret to cable carrier along side of the boom.

**Pump:** Gear type, direct mount to truck

PTO.

**PTO:** Heavy-duty, high-speed. Cable engaged from cab.

**Cab Equipment:** PTO cable with indicator lights installed in truck cab. Engine speed control and start/stop installed with control switches in platform remote control box and also located at lower controls. U/L approved 5:BC dry chemical fire extinguisher installed in truck cab.

**Operators Manual & Video:** Two CDs and one printed copy of operation, maintenance, safety and parts manual provided with each unit. Operational and safety video provided at delivery.

**Installation:** Unit installed on truck, painted, system and tank filled with oil, tested, inspected, and ready to operate.

**Standard Paint:** Paint boom and turret red, outriggers red, and bed and boxes black. Top of bed painted with black nonskid surface.

**Bumper:** Bureau of Motor Carrier Safety rear bumper.

**Weight:** Approximately 10,000 lbs. with 18' steel-floor bed less truck.

**Truck Chassis Required:** Approx. 120" C.A., RBM 900,000 in-lb. per rail, 10,000 lb. front axle and minimum 25,999 lb. GVWR required. Trucks must have increased cooling, heavy-duty front and rear springs, 12V electrical system with high capacity alternator, cab clearance stop/tail/backup lights, and I.D. lamps. Recommended GVWR is minimum for HiReach with flatbed only. Contact factory when additional equipment is to be added.

**Options:**

3,650 or 2,000 lb Capacity Boom Winch  
500 lb Capacity Platform Jib Attachment  
Much More...

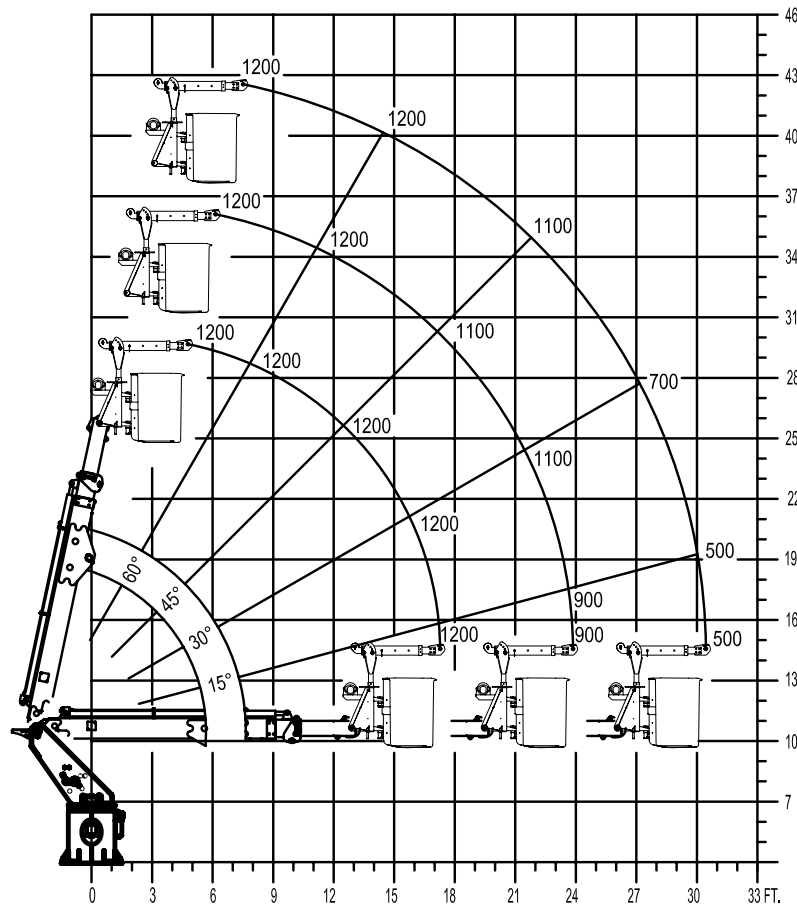
MAXIMUM WORKING LOADS

MAXIMUM WORKING LOADS  
PLATFORM JIB OPERATION

MODEL I40

TOTAL LIFT CAPACITY (JIB LOAD PLUS PERSONNEL)

AVOID JERKING LOAD - 360° RADIUS



JIB 1,000 LBS. MAX PERSONNEL 600 LBS. MAX

**ELLIOTT**  
EQUIPMENT COMPANY

DO NOT PAINT OVER ANY LABELS

1164740 060310

## CHASSIS DATA

	I40F
Wheelbase (WB)	187" / 475 cm
Cab to Axle (CA)	120" / 305 cm
Cab to End of Frame (EOF)	220" / 559 cm
Frame Section Modulus	9.0 in3 / 110,000 psi
Front Axle Gross Weight Rating	10,000 lb / 4536 kg
Rear Axle Gross Weight Rating	19,000 lb / 8618 kg
Extended Front Frame	Not Required

Chassis data is minimum general requirements-not for engineering.  
Actual dimensions and truck data will depend on truck selection and axle configuration.

## OPTIONS



### Radio Remote Control

Interference protected radio remotes hard-wired to the platform let you get closer to your work and have full control over your machine.



### Material Handling Jib

Equip your HiReach platform with a material handling jib crane to handle up to 500 pounds from within arm's reach..



### MH Outriggers With Shortjacking

Reduce outrigger spread with MH outriggers behind the cab and Elliott's Automatic Safety Rotation Lockout to operate your HiReach in confined spaces.



### Outrigger Pad Holders

Outrigger pad holders safely store your pads for travel and leave plenty of room for tool boxes.



### Bed Accessories

Mount a wide variety of tool accessories including welders, power washers, and generators on the bed with lines to the platform.



### Platform Accessories

Choose from a list of platform accessories including 110V outlets, welding leads, hydraulic tools, and much more.



### Outrigger Extensions

Our pin-on outrigger extensions give you extra clearance for work on hills and around guardrails.

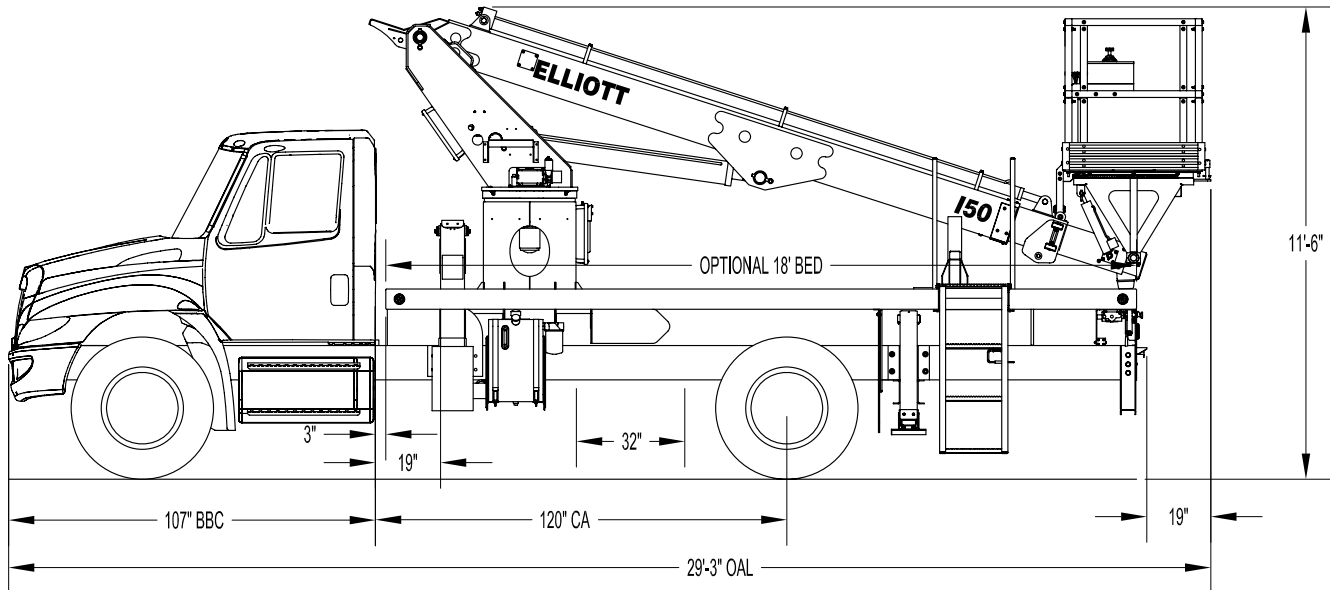


### Line Body

Let us work with you to customize a line body to secure your tools and supplies the the best way for your application.



### 150 SIDE VIEW DIAGRAM



- **Working Height** 55' / 16,8 m
- **Working Side Reach** 40' / 12,2 m
- **Platform Capacity** 600 lbs / 272 kg
- **Platform Size** 40" x 60" / 102 x 152 cm
- **Platform Type** Insulated Top-Mount
- **Lifting Capacity (Main Winch)** 3,650 lbs / 1656 kg
- **Insulation Rating** 46kV Category C

- **Powered Boom Sections** 3
- **Overall Height** 11'6" / 3,4 m
- **Unit Weight (Bare)** 11,500 lbs / 5216 kg
- **Outrigger Spread Main** 12'6" / 3,8 m
- **Outrigger Spread Auxiliary** 8' / 2,4 m
- **Front Gross Axle Weight Rating** 10,000 lbs / 4536 kg
- **Rear Gross Axle Weight Rating** 19,000 lbs / 8618 kg

## TECHNICAL SPECIFICATIONS

**Maximum Platform Height:** 50' ground to platform floor.

**Working Range:** 55' max. working height and 40' max. side reach.

**Work Platform:** 40"x60" insulated top-mounted work platform with 40" high fiberglass rails, and a grated fiberglass floor. Equipped with two safety lanyard attachment loops and two safety harnesses and 72" lanyards. Platform capacity 600 lbs.

**Platform Leveling System:** Hydraulic "closed" system consisting of twin platform cylinders interacting with a boom-actuated master cylinder mounted in boom support turret. System provided with factory-set relief valves to compensate for oil expansion or overload during platform leveling operation. Remote releveling controls provided in platform and at ground controls to give precise releveling capability.

**Platform Controls:** Control signals to be transmitted into work platform via plastic fiberoptic "light conduction" from turret control station. Fiberoptic system powered by battery with a backup located in truck cab with 12-volt charger. Single joystick control with finger enable switch in platform to provide boom extension, elevation and rotation controls. Control cable shall extend through the column to the cable carrier and through a fiberglass tube in boom sections. Lower boom controls shall include all general control options including engine speed, start/stop, and upper controls with override.

**Lower Controls:** Mounted on curbside of turret.

**Outrigger Controls:** Parallel open-center stack valve for lever-operated control of right and left outriggers. The outrigger valves are mounted at the rear, under each corner of the bed with roadside valve controlling

roadside outriggers and curbside valve controlling curbside outriggers.

**Outriggers:** "A" type out-and-down main outriggers with 12' spread. "A" type underslung secondary outriggers with 8' spread.

**Frame:** One piece, all welded, box-type fabrication with integral outrigger mounts.

**Turret:** Reverse offset turret is one-piece weldment mounted on turret box. Turret rotates on large diameter ball bearing.

**Rotation:** Continuous turret rotation with no stops. Hydraulic motor drives turret through self-locking gear box.

**Boom:** Steel rectangular tube sections and one fiberglass section 9" high x 7" wide with a 3/4" wall section. Assembly includes heavy-duty cylinder fittings, pivot pins, and replaceable wear pads.

**Boom Extension:** Two opposing "piggyback" extension cylinders extend the boom sections.

**Lift:** One single-acting full displacement, long stroke cylinder, provides smooth and stable boom elevation. Holding valve prevent boom from falling in event of hose failure.

**Cylinders:** All cylinders use microhoned cylinder tubing, chrome shafts, top grade packing and protective rod wipers. Cylinder-mounted holding valves provided on all load-holding cylinders.

**Hoses:** All high pressure hoses are wire braid reinforced with a minimum safety factor of 4 to 1.

**Oil Tank Capacity:** 35 gallon mounted to truck frame on roadside.

**Hydraulic System:** Operating pressure approximately 2,500 PSI. System is parallel open center type and is equipped with liquid-filled pressure gauge. Oil is supplied to upper cylinders through hydraulic union in center of turret to

cable carrier along side of the boom.

**Pump:** Gear type, direct mount to truck PTO.

**PTO:** Heavy-duty, high-speed.

**Cab Equipment:** PTO switch with indicator lights installed in truck cab. Engine speed control and start/stop installed with control switches in platform remote control box and also located at lower controls. U/L approved 5:BC dry chemical fire extinguisher installed in truck cab.

**Operators Manual & Video:** Two CDs and one printed copy of operation, maintenance, safety and parts manual provided with each unit. Operational and safety video provided at delivery.

**Installation:** Unit installed on truck, painted, system and tank filled with oil, tested, inspected, and ready to operate.

**Standard Paint:** Paint boom and turret red, outriggers red, and bed and boxes black. Top of bed painted with black nonskid surface.

**Bumper:** Bureau of Motor Carrier Safety rear bumper.

**Weight:** Approximately 11,500 lbs. with 18' steel-floor bed less truck.

**Truck Chassis Required:** Approx. 120" C.A., RBM 900,000 in-lb. per rail, 10,000 lb. front axle and 25,999 lb. GVWR required. Trucks must have increased cooling, heavy-duty front and rear springs, 12V electrical system with high capacity alternator, cab clearance stop/tail/backup lights, and I.D. lamps. Recommended GVWR is minimum for HiReach with flatbed only. Contact factory when additional equipment is to be added.

**Options:**

3,650 or 2,000 lb Capacity Boom Winch  
500 lb Capacity Platform Jib Attachment  
Much More...

Elliott Equipment Company reserves the right to change the specification of any unit at any time without prior notice. This brochure is only a statement of general specifications on the date of this publication. For more detailed info on specific Elliott trucks go to [www.elliottequip.com](http://www.elliottequip.com)

MAXIMUM WORKING LOADS - JIB WINCH

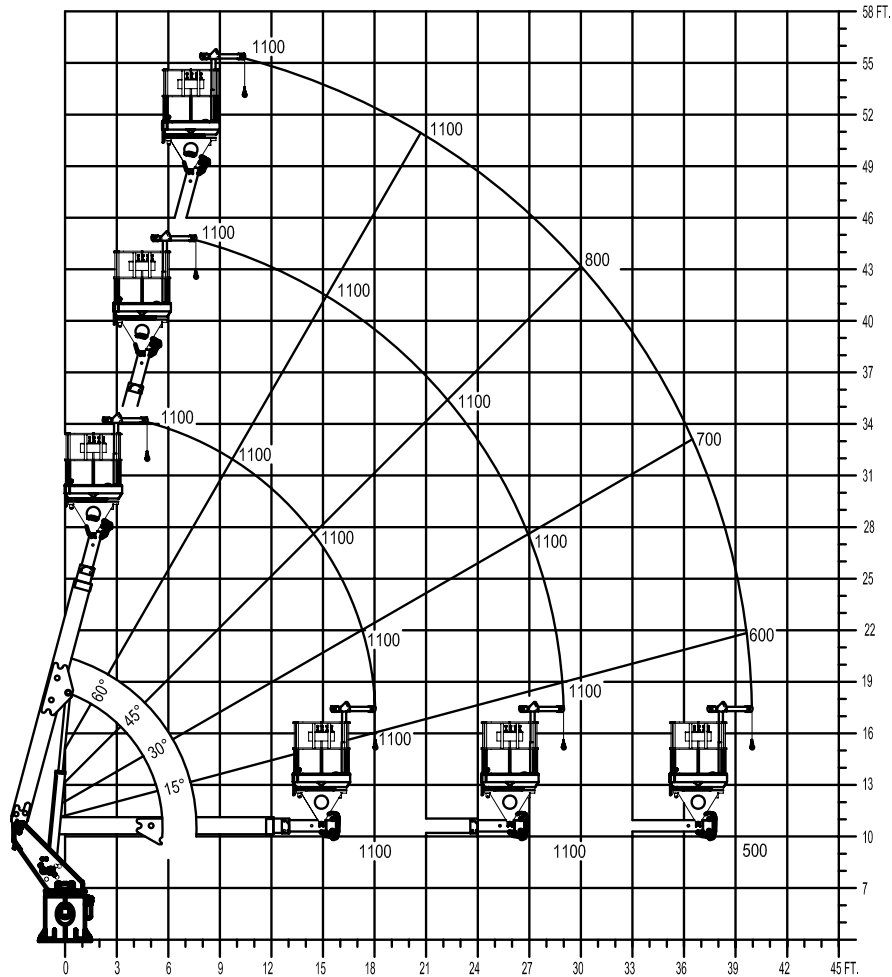
MAXIMUM WORKING LOADS  
PLATFORM JIB OPERATION

MODEL I50

TOTAL PLATFORM CAPACITY (JIB LOAD PLUS PERSONNEL)

USE OUTRIGGERS AT ALL TIMES • AVOID JERKING LOAD

360° RADIUS



JIB 500 LBS. MAX PERSONNEL 600 LBS. MAX

**ELLIOTT**  
EQUIPMENT COMPANY

1132950 080107



**MAXIMUM WORKING LOADS - MAIN WINCH**

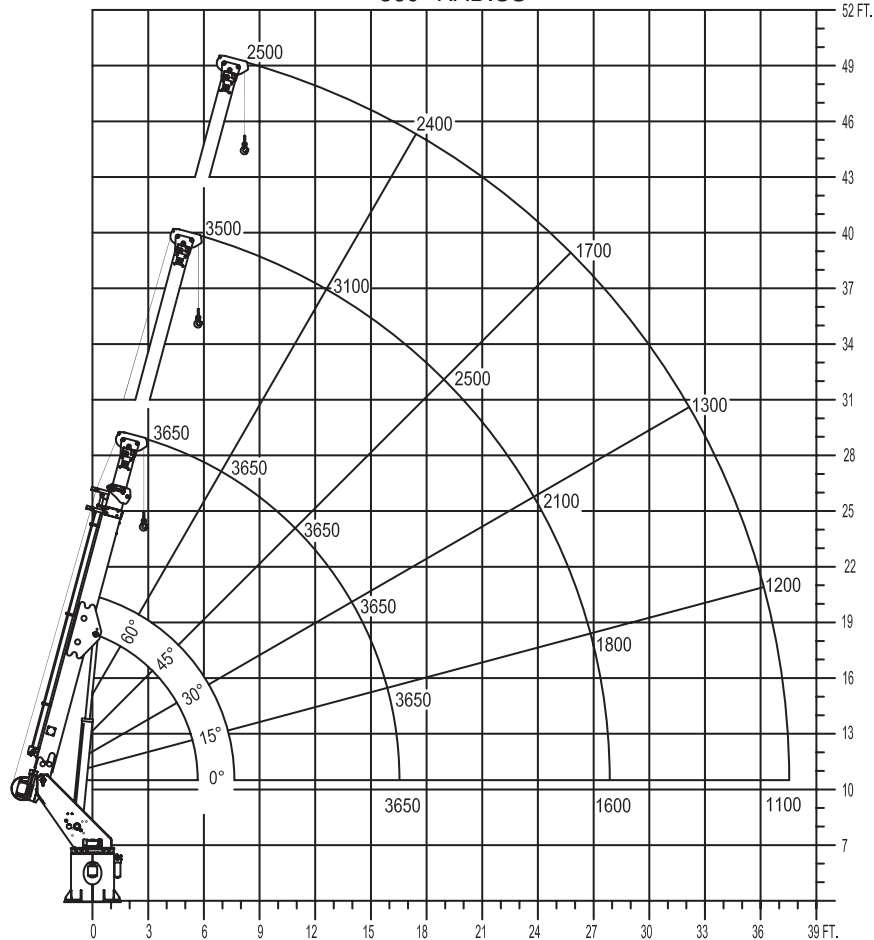
**MAXIMUM WORKING LOADS  
CRANE OPERATION**

**MODEL 150**

**WINCH LINE LOAD (POUNDS) WITH BUCKETS OR PLATFORM REMOVED**

**USE OUTRIGGERS AT ALL TIMES · AVOID JERKING LOAD**

**360° RADIUS**



**DEDUCT 400 POUNDS WITH BUCKETS OR PLATFORM ATTACHED**

**ELLIOTT**  
EQUIPMENT COMPANY

DO NOT PAINT OVER ANY LABELS

1076030 042604

## CHASSIS DATA

	150
Wheelbase (WB)	187" / 475 cm
Cab to Axle (CA)	120" / 305 cm
Cab to End of Frame (EOF)	220" / 559 cm
Frame Section Modulus	9.0 in3 / 110,000 psi
Front Axle Gross Weight Rating	10,000 lb / 4536 kg
Rear Axle Gross Weight Rating	19,000 lb / 8618 kg
Extended Front Frame	Not Required

Chassis data is minimum general requirements-not for engineering.  
Actual dimensions and truck data will depend on truck selection and axle configuration.

## OPTIONS



### Radio Remote Control

Interference protected radio remotes hard-wired to the platform let you get closer to your work and have full control over your machine.



### Material Handling Jib

Equip your HiReach platform with a material handling jib winch to handle up to 500 pounds from within arm's reach.



### MH Outriggers With Shortjacking

Reduce outrigger spread with MH outriggers behind the cab and Elliott's Automatic Safety Rotation Lockout to operate your HiReach in confined spaces.



### Outrigger Pad Holders

Outrigger pad holders safely store your pads for travel and leave plenty of room for tool boxes.



### Bed Accessories

Mount a wide variety of tool accessories including welders, power washers, and generators on the bed with lines to the platform.



### Platform Accessories

Choose from a list of platform accessories including 110V outlets, welding leads, hydraulic tools, and much more.



### Outrigger Extensions

Our pin-on outrigger extensions give you extra clearance for work on hills and around guardrails.

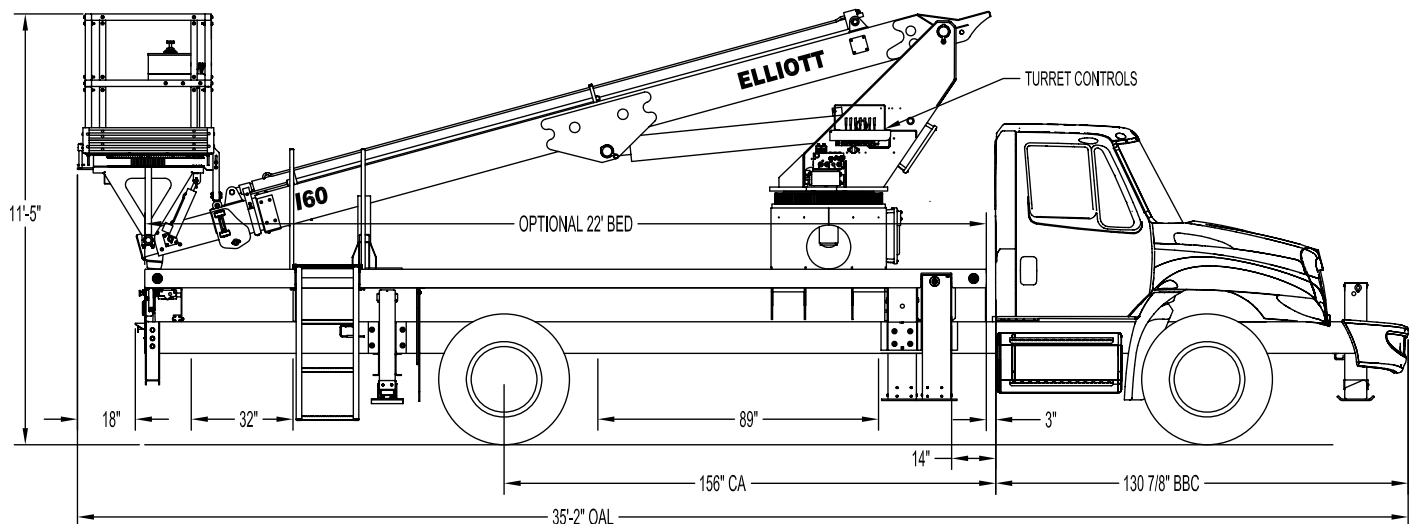


### Line Body

Let us work with you to customize a line body to secure your tools and supplies the the best way for your application.



### I60F SIDE VIEW DIAGRAM



- **Working Height** 65' / 19,8 m
- **Working Side Reach** 52' / 15,8 m
- **Platform Capacity** 600 lbs / 272 kg
- **Platform Size** 40" x 60" / 102 x 152 cm
- **Platform Type** Insulated Top-Mount
- **Lifting Capacity (Main Winch)** 3,650 lbs / 1656 kg
- **Insulation Rating** 46kV Category C

- **Powered Boom Sections** 3
- **Overall Height** 11'5" / 3,4 m
- **Unit Weight (Bare)** 16,800 lbs / 7620 kg
- **Outrigger Spread Main** 18' / 5,5 m
- **Outrigger Spread Auxiliary** 8' / 2,4 m
- **Front Gross Axle Weight Rating** 13,000 lbs / 5897 kg
- **Rear Gross Axle Weight Rating** 20,000 lbs / 9072 kg

## TECHNICAL SPECIFICATIONS

**Maximum Platform Height:** 60' ground to platform floor.

**Working Range:** 65' max. height and 52' max. side reach.

**Work Platform:** 40x60" Insulated Top-Mount work platform with 40" high fiberglass rails and a grated fiberglass floor. Equipped with two safety lanyard attachment loops and two safety harnesses and 72" lanyards. Platform capacity 600 lbs.

**Platform Leveling System:** Hydraulic "closed" system consisting of twin platform cylinders interacting with a boom-actuated master cylinder mounted in boom support turret. System provided with factory-set relief valves to compensate for oil expansion or overload during platform leveling operation. Remote leveling controls provided in platform and at ground controls to give precise releveling capability.

**Platform Controls:** Control signals to be transmitted into work platform via plastic fiberoptic "light conduction" from turret control station. Fiberoptic system powered by battery with a backup located in truck cab with 12-volt charger. Single joystick control with finger enable switch in platform to provide boom extension, elevation and rotation controls. Control cable shall extend through the column to the cable carrier and through a fiberglass tube in boom sections. Lower boom controls shall include all general control options including engine speed, start/stop, and upper controls with override.

**Lower Controls:** Mounted on curbside of turret.

**Outrigger Controls:** Parallel open-center stack valve for lever-operated control of right and left outriggers. The outrigger valves are mounted at the rear, under each corner of the bed with roadside valve controlling roadside outriggers and curbside valve

controlling curbside outriggers.

**Outriggers:** "MH" type out-and-down main outriggers with 18' spread. "A" type underslung secondary outriggers with 8' spread. Front stabilizer required.

**Frame:** One piece, all welded, box-type fabrication with integral outrigger mounts.

**Turret:** Reverse offset turret is one-piece weldment mounted on turret box. Turret rotates on large diameter ball bearing.

**Rotation:** Continuous turret rotation with no stops. Hydraulic motor drives turret through self-locking gear box.

**Boom:** Steel rectangular tube sections and one fiberglass section 9" high x 7" wide with a 3/4" wall section. Assembly includes heavy-duty cylinder fittings, pivot pins, and replaceable wear pads.

**Boom Extension:** Two opposing "piggyback" extension cylinders extend the boom sections.

**Lift:** One single-acting full displacement, long stroke cylinder, provides smooth and stable boom elevation. Holding valve prevent boom from falling in event of hose failure.

**Cylinders:** All cylinders use microhoned cylinder tubing, chrome shafts, top grade packing and protective rod wipers. Cylinder-mounted holding valves provided on all load-holding cylinders.

**Hoses:** All high pressure hoses are wire braid reinforced with a minimum safety factor of 4 to 1.

**Oil Tank Capacity:** 35 gallon mounted to truck frame on roadside.

**Hydraulic System:** Operating pressure approximately 2,500 PSI. System is parallel open center type and is equipped with liquid-filled pressure gauge. Oil is supplied to upper cylinders through hydraulic union in center of turret to cable carrier along side of the boom.

**Pump:** Gear type, direct mount to truck PTO.

**PTO:** Heavy-duty, high-speed. Cable engaged from cab.

**Cab Equipment:** PTO cable or switch with indicator lights installed in truck cab. Engine speed control and start/stop installed with control switches in platform remote control box and also located at lower controls. U/L approved 5:BC dry chemical fire extinguisher installed in truck cab.

**Operators Manual & Video:** Two CDs and one printed copy of operation, maintenance, safety and parts manual provided with each unit. Operational and safety video provided at delivery.

**Installation:** Unit installed on truck, painted, system and tank filled with oil, tested, inspected, and ready to operate.

**Standard Paint:** Paint boom and turret red, outriggers red, and bed and boxes black. Top of steel bed painted with black nonskid surface.

**Bumper:** Bureau of Motor Carrier Safety rear bumper.

**Weight:** Approximately 16,800 lbs. with 22' steel-floor bed less truck.

**Truck Chassis Required:** Approx. 156" C.A., RBM 1,600,000 in-lb. per rail, 13,000 lb. front axle and 33,000 lb. GVWR required. Trucks must front frame extensions, increased cooling, heavy-duty front and rear springs, 12V electrical system with high capacity alternator, cab clearance stop/tail/backup lights, and I.D. lamps. Recommended GVWR is minimum for HiReach with flatbed only. Contact factory when additional equipment is to be added.

**Options:**

3,650 or 2,000 lb Capacity Boom Winch  
500 lb Capacity Platform Jib Attachment  
Much More...

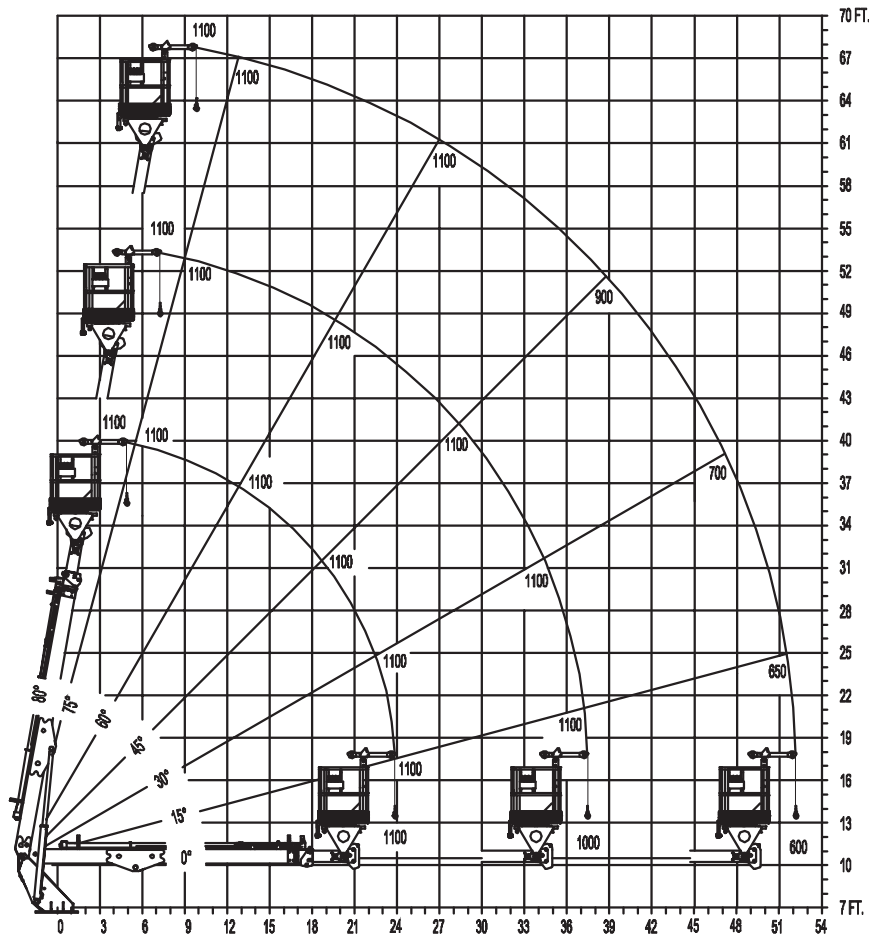
Elliott Equipment Company reserves the right to change the specification of any unit at any time without prior notice. This brochure is only a statement of general specifications on the date of this publication. For more detailed info on specific Elliott trucks go to [www.elliottequip.com](http://www.elliottequip.com)

**MAXIMUM RANGE CAPABILITIES**

**MAXIMUM WORKING LOADS  
BASKET JIB OPERATION**

**TOTAL BASKET CAPACITY (JIB LOAD PLUS PERSONNEL)**

**USE OUTRIGGERS AT ALL TIMES AVOID JERKING LOAD  
360° RADIUS**



**JIB 500 Lbs. MAXIMUM PERSONNEL 600 Lbs. MAXIMUM**

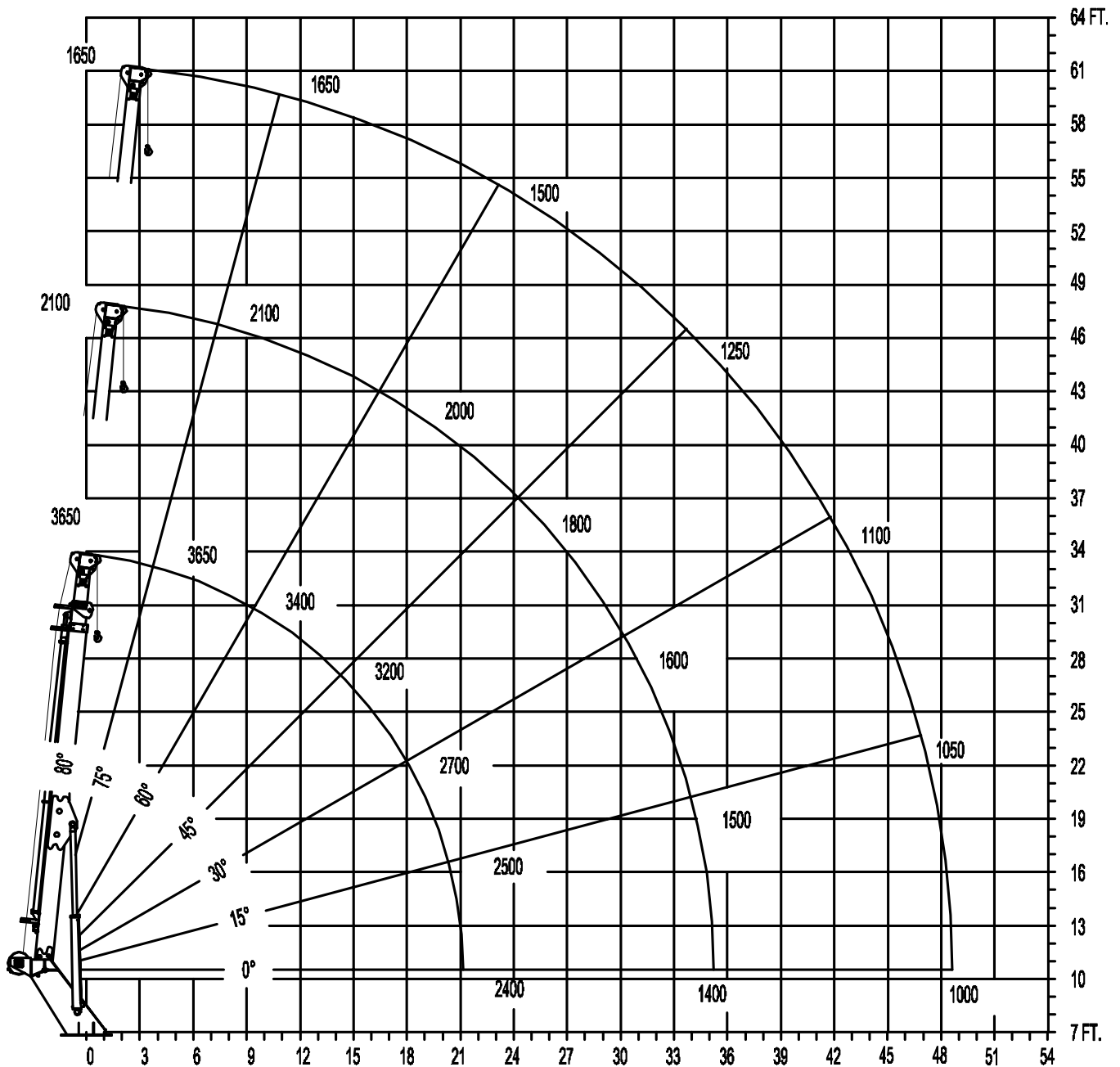
**ELLIOTT**  
EQUIPMENT COMPANY

**MAXIMUM LIFTING CAPABILITIES**

**WINCH LINE LOAD (POUNDS) WITH BUCKETS OR PLATFORM REMOVED**

**USE OUTRIGGERS AT ALL TIMES • AVOID JERKING LOAD**

**360° RADIUS • 1500 P.S.I. MAX**



## CHASSIS DATA

	I60F
Wheelbase (WB)	223" / 556 cm
Cab to Axle (CA)	156" / 396 cm
Cab to End of Frame (EOF)	266" / 676 cm
Frame Section Modulus	13.3 in3 / 110,000 psi
Front Axle Gross Weight Rating	13,000 lb / 5897 kg
Rear Axle Gross Weight Rating	20,000 lb / 9072 kg
Extended Front Frame	Required for Front Stabilizer

Chassis data is minimum general requirements-not for engineering.  
Actual dimensions and truck data will depend on truck selection and axle configuration.

## OPTIONS



### Radio Remote Control

Interference protected radio remotes hard-wired to the platform let you get closer to your work and have full control over your machine.



### Material Handling Jib

Equip your HiReach platform with a material handling jib crane to handle up to 500 pounds from within arm's reach..



### MH Outriggers With Shortjacking

Reduce outrigger spread with MH outriggers behind the cab and Elliott's Automatic Safety Rotation Lockout to operate your HiReach in confined spaces.



### Outrigger Pad Holders

Outrigger pad holders safely store your pads for travel and leave plenty of room for tool boxes.



### Bed Accessories

Mount a wide variety of tool accessories including welders, power washers, and generators on the bed with lines to the platform.



### Platform Accessories

Choose from a list of platform accessories including 110V outlets, welding leads, hydraulic tools, and much more.



### Outrigger Extensions

Our pin-on outrigger extensions give you extra clearance for work on hills and around guardrails.

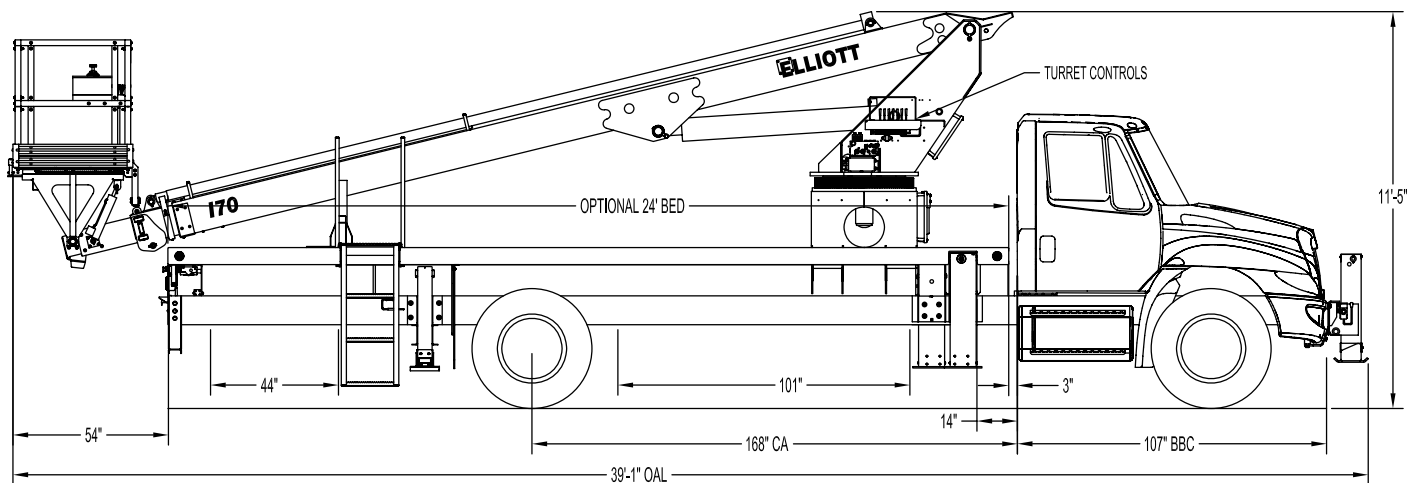


### Line Body

Let us work with you to customize a line body to secure your tools and supplies the the best way for your application.



### I70F SIDE VIEW DIAGRAM



- **Working Height** 75' / 23 m
- **Working Side Reach** 61' / 18,6 m
- **Platform Capacity** 600 lbs / 272 kg
- **Platform Size** 40" x 60" / 102 x 152 cm
- **Platform Type** Insulated Top-Mount
- **Lifting Capacity (Main Winch)** 3,650 lbs / 1656 kg
- **Insulation Rating** 46KV Category C

- **Powered Boom Sections** 4
- **Overall Height** 11'5" / 3,4 m
- **Unit Weight (Bare)** 17,600 lbs / 7983 kg
- **Outrigger Spread Main** 18' / 5,4 m
- **Outrigger Spread Auxiliary** 8' / 2,4 m
- **Front Gross Axle Weight Rating** 13,000 lbs / 5897 kg
- **Rear Gross Axle Weight Rating** 20,000 lbs / 9072 kg



## TECHNICAL SPECIFICATIONS

**Maximum Platform Height:** 70' ground to platform floor.

**Working Range:** 75' max. height and 61' max. side reach.

**Work Platform:** 40x60" fiberglass top-mount work platform with 40" high rails and a grated fiberglass floor. Equipped with two safety lanyard attachment loops, two safety harnesses, and two lanyards. Platform capacity is 600 lbs.

**Platform Leveling System:** Hydraulic "closed" system consisting of twin platform cylinders interacting with a boom-actuated master cylinder mounted in boom support turret. System provided with factory-set relief valves to compensate for oil expansion or overload during platform leveling operation. Remote releveling controls provided in platform and at ground controls to give precise releveling capability.

**Platform Controls:** Control signals to be transmitted into work platform via plastic fiberoptic "light conduction" from turret control station. Fiberoptic system powered by battery with a backup located in truck cab with 12-volt charger. Single joystick control with finger enable switch in platform to provide boom extension, elevation and rotation controls. Control cable shall extend through the column to the cable carrier and through a fiberglass tube in boom sections. Lower boom controls shall include all general control options including engine speed, start/stop, and upper controls with override.

**Lower Controls:** Mounted on curbside of turret.

**Outrigger Controls:** Parallel open-center stack valve for lever-operated control of right and left outriggers. The outrigger valves are mounted at the rear, under each corner of the bed with roadside valve controlling roadside outriggers and curbside valve controlling curbside outriggers.

Elliott Equipment Company reserves the right to change the specification of any unit at any time without prior notice. This brochure is only a statement of general specifications on the date of this publication. For more detailed info on specific Elliott trucks go to [www.elliottequip.com](http://www.elliottequip.com)

**Outriggers:** "MH" type out-and-down main outriggers with 18' spread. "A" type underslung secondary outriggers with 8' spread. Front stabilizer shall be installed on minimum 20" front frame extensions.

**Frame:** One piece, all welded, box-type fabrication with integral outrigger mounts.

**Turret:** Reverse offset turret is one-piece weldment mounted on turret box. Turret rotates on large diameter ball bearing.

**Rotation:** Continuous turret rotation with no stops. Hydraulic motor drives turret through self-locking gear box.

**Boom:** Steel rectangular tube sections and one fiberglass section 9" high x 7" wide with a 3/4" wall section. Assembly includes heavy-duty cylinder fittings, pivot pins, and replaceable wear pads.

**Boom Extension:** One "double-case" double-acting cylinder extends the final fiberglass section. Main boom section extend via one external cylinder. Fiberglass section to extend first, and retract last.

**Lift:** One double-acting full displacement, long stroke cylinder, provides smooth and stable boom elevation. Holding valve prevent boom from falling in event of hose failure.

**Cylinders:** All cylinders use microhoned cylinder tubing, chrome shafts, top grade packing and protective rod wipers. Cylinder-mounted holding valves provided on all load-holding cylinders.

**Hoses:** All high pressure hoses are wire braid reinforced with a minimum safety factor of 4 to 1.

**Oil Tank Capacity:** 70 gallon mounted to side of sub frame below the bed.

**Hydraulic System:** Operating pressure approximately 2,500 PSI. System is parallel open center type and is equipped with liquid-filled pressure gauge. Oil

is supplied to upper cylinders through hydraulic union in center of turret to cable carrier along side of the boom.

**Pump:** Gear type, direct mount to truck PTO.

**PTO:** Heavy-duty, high-speed. Switch engaged from cab.

**Cab Equipment:** PTO switch with indicator lights installed in truck cab. Engine speed control and start/stop installed with control switches in platform remote control box and also located at lower controls. U/L approved 5:BC dry chemical fire extinguisher installed in truck cab.

**Operators Manual & Video:** Two CDs and one printed copy of operation, maintenance, safety and parts manual provided with each unit. Operational and safety video provided at delivery.

**Installation:** Unit installed on truck, painted, system and tank filled with oil, tested, inspected, and ready to operate.

**Standard Paint:** Paint boom and turret red, outriggers red, and bed and boxes black. Top of bed painted with black nonskid surface.

**Bumper:** Bureau of Motor Carrier Safety rear bumper.

**Weight:** Approximately 17,600 lbs. with 24' steel-floor bed less truck.

**Truck Chassis Required:** Approx. 168" C.A., RBM 1,600,000 in-lb. per rail, 13,000 lb. front axle and 33,000 lb. GVWR required. Trucks must have front frame extensions, increased cooling, heavy-duty front and rear springs, 12V electrical system with high capacity alternator, cab clearance stop/tail/backup lights, and I.D. lamps. Recommended GVWR is minimum for HiReach with flatbed only. Contact factory when additional equipment is to be added.

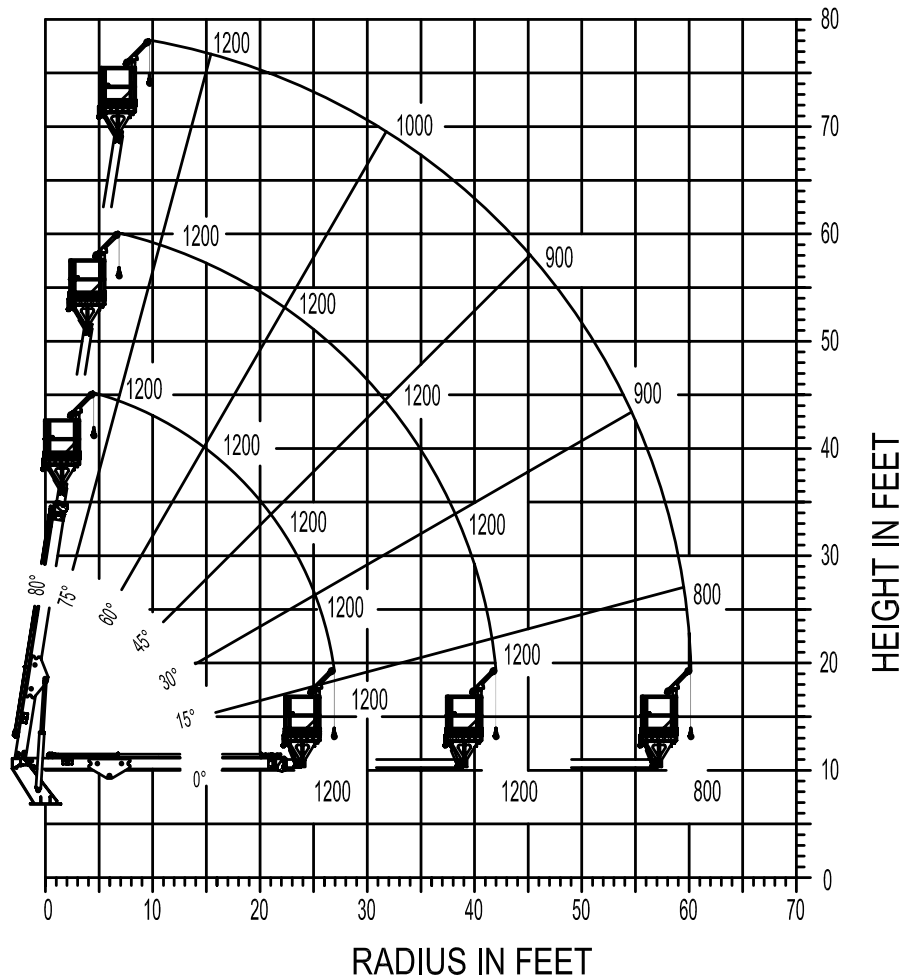
**MAXIMUM JIB LIFTING CAPABILITIES**

**MAXIMUM WORKING LOADS  
PLATFORM JIB OPERATION**

**MODEL I70**

**TOTAL PLATFORM CAPACITY (JIB LOAD PLUS PERSONNEL)**

USE OUTRIGGERS AT ALL TIMES • AVOID JERKING LOAD  
360° BOOM RADIUS



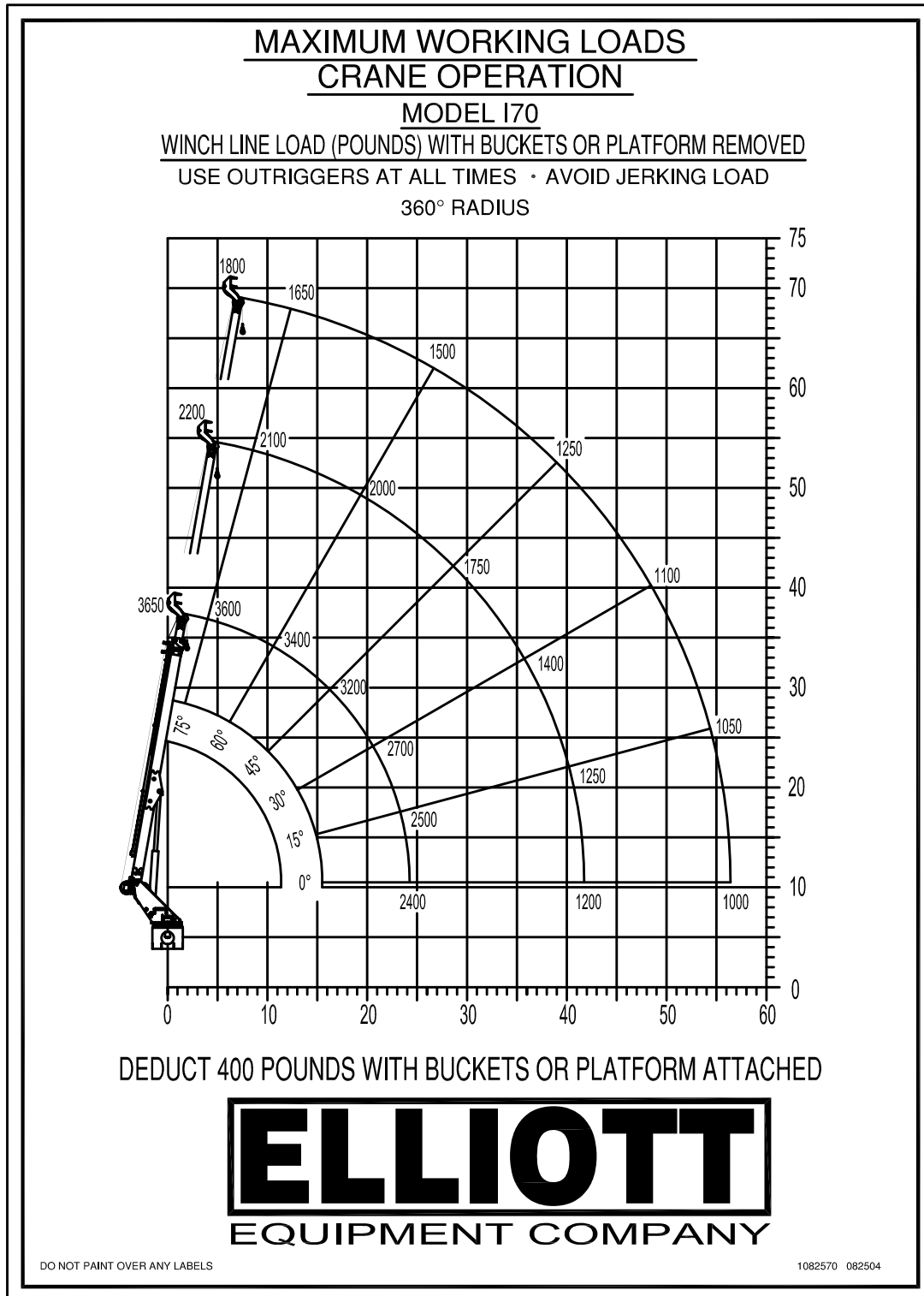
JIB 500 LBS. MAX. PERSONNEL 600 LBS. MAX.



DO NOT PAINT OVER ANY LABELS

070111 1174200

**MAXIMUM LIFTING CAPABILITIES**



## CHASSIS DATA

	170F
Wheelbase (WB)	235" / 597 cm
Cab to Axle (CA)	168" / 427 cm
Cab to End of Frame (EOF)	293" / 744 cm
Frame Section Modulus	13.3 in3 / 120,000 psi
Front Axle Gross Weight Rating	13,000 lb / 5897 kg
Rear Axle Gross Weight Rating	20,000 lb / 9072 kg
Extended Front Frame	Required for Front Stabilizer

Chassis data is minimum general requirements-not for engineering.  
Actual dimensions and truck data will depend on truck selection and axle configuration.

## OPTIONS



### Radio Remote Control

Interference protected radio remotes hard-wired to the platform let you get closer to your work and have full control over your machine.



### Material Handling Jib

Equip your HiReach platform with a material handling jib crane to handle up to 500 pounds from within arm's reach..



### MH Outriggers With Shortjacking

Reduce outrigger spread with MH secondary outriggers and Elliott's Automatic Safety Rotation Lockout to operate your HiReach in confined spaces.



### Outrigger Pad Holders

Outrigger pad holders safely store your pads for travel and leave plenty of room for tool boxes.



### Bed Accessories

Mount a wide variety of tool accessories including welders, power washers, and generators on the bed with lines to the platform.



### Platform Accessories

Choose from a list of platform accessories including hydraulic accessory lines and a 3/8" air line to power tools from within the platform.



### Outrigger Extensions

Our pin-on outrigger extensions give you extra clearance for work on hills and around guardrails.

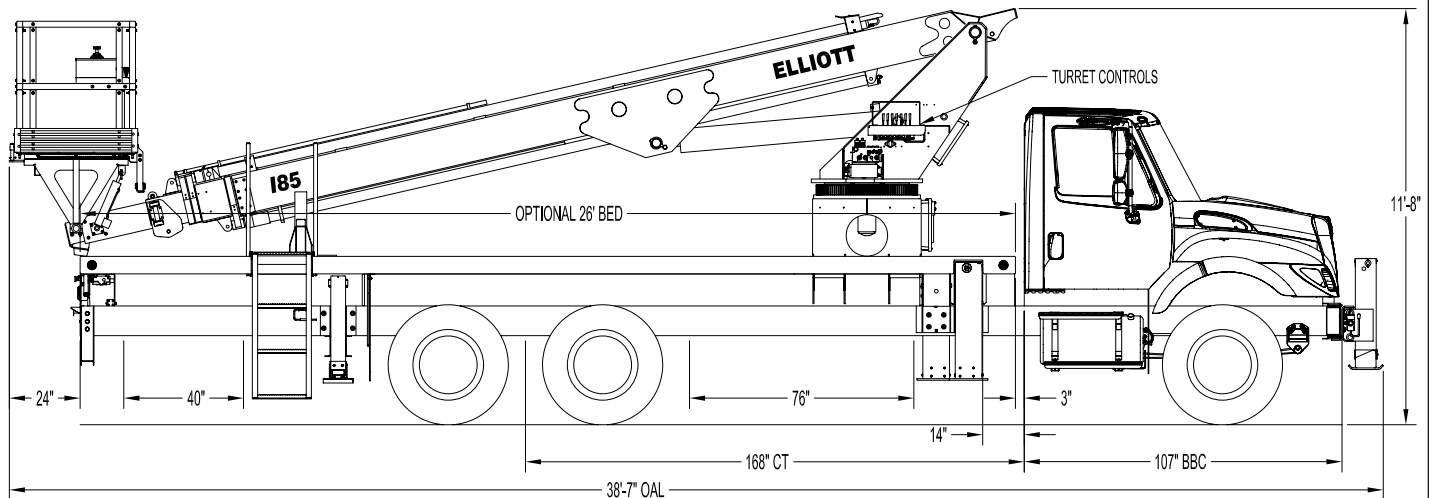


### Line Body

Let us work with you to customize a line body to secure your tools and supplies the the best way for your application.



### 185F SIDE VIEW DIAGRAM



- |                                        |                           |                                         |                        |
|----------------------------------------|---------------------------|-----------------------------------------|------------------------|
| • <b>Working Height</b>                | 90' / 27,4 m              | • <b>Powered Boom Sections</b>          | 4                      |
| • <b>Working Side Reach</b>            | 59' / 18 m                | • <b>Overall Height</b>                 | 11'8" / 3,5 m          |
| • <b>Platform Capacity</b>             | 600 lbs / 272 kg          | • <b>Unit Weight (Bare)</b>             | 18,500 lbs / 8391 kg   |
| • <b>Platform Size</b>                 | 40 x 60 in / 102 x 152 cm | • <b>Outrigger Spread Main</b>          | 18' / 5,4 m            |
| • <b>Platform Type</b>                 | Insulated Top-Mount       | • <b>Outrigger Spread Auxiliary</b>     | 8' / 2,4 m             |
| • <b>Lifting Capacity (Main Winch)</b> | 3,650 lbs / 1656 kg       | • <b>Front Gross Axle Weight Rating</b> | 14,000 lbs / 6350 kg   |
| • <b>Insulation Rating</b>             | 46KV Category C           | • <b>Rear Gross Axle Weight Rating</b>  | 40,000 lbs / 18 144 kg |

## TECHNICAL SPECIFICATIONS

**Maximum Platform Height:** 85' ground to platform floor.

**Working Range:** 90' max. height and 59' max. side reach.

**Work Platform:** 40x60" fiberglass top-mount work platform with 40" high rails and a grated fiberglass floor. Equipped with two safety lanyard attachment loops, two safety harnesses, and two lanyards. Platform capacity is 600 lbs.

**Platform Leveling System:** Hydraulic "closed" system consisting of twin platform cylinders interacting with a boom-actuated master cylinder mounted in boom support turret. System provided with factory-set relief valves to compensate for oil expansion or overload during platform leveling operation. Remote releveling controls provided in platform and at ground controls to give precise releveling capability.

**Platform Controls:** Joystick controller with enable finger switch for boom extension, elevation and rotation. Also includes remote chassis engine start-stop and engine speed system. Boom controls actuation to be accomplished by means of proportional fiberoptic controls using 'Pulsar' technology. Control signal to be transmitted from platform by plastic fiberoptic light conductor extending through cable carrier and fiberglass tube to the extending boom sections. Control system to be battery operated with secondary battery and charger in cab.

**Lower Controls:** Mounted on curbside of turret.

**Outrigger Controls:** Parallel open-center stack valve for lever-operated control of right and left outriggers. The outrigger valves are mounted at the rear, under each corner of the bed with roadside valve controlling roadside outriggers, curbside valve controlling curbside outriggers and additional valve at front bumper for front stabilizer.

**Outriggers:** "MH" type out-and-down main outriggers with 18' spread. "A" type underslung secondary outriggers with 8' spread. Front stabilizer shall be installed on minimum 20" front frame extensions.

**Frame:** One piece, all welded, box-type fabrication with integral outrigger mounts.

**Turret:** Reverse offset turret is one-piece weldment mounted on turret box. Turret rotates on large diameter ball bearing.

**Rotation:** Continuous turret rotation with no stops. Hydraulic motor drives turret through self-locking gear box.

**Boom:** Three steel rectangular tube sections and one fiberglass section 9" high x 7" wide with a 3/4" wall section. Assembly includes heavy-duty cylinder fittings, pivot pins, and replaceable wear pads.

**Boom Extension:** One "double-case" double-acting cylinder extends the final fiberglass section. Main boom sections extend via two external cylinders. Fiberglass section to extend first, and retract last.

**Lift:** One double-acting full displacement, long stroke cylinder, provides smooth and stable boom elevation. Holding valve prevent boom from falling in event of hose failure.

**Cylinders:** All cylinders use microhoned cylinder tubing, chrome shafts, top grade packing and protective rod wipers. Cylinder-mounted holding valves provided on all load-holding cylinders.

**Hoses:** All high pressure hoses are wire braid reinforced with a minimum safety factor of 4 to 1.

**Oil Tank Capacity:** 70 gallon mounted to side of sub frame below the bed.

**Hydraulic System:** Operating pressure approximately 3,000 PSI. System is parallel open center type and is equipped

with liquid-filled pressure gauge. Oil is supplied to upper cylinders through hydraulic union in center of turret to cable carrier along side of the boom.

**Pump:** Gear type, direct mount to truck PTO.

**PTO:** Heavy-duty, high-speed. Switch engaged from cab.

**Cab Equipment:** PTO switch with indicator lights installed in truck cab. Engine speed control and start/stop installed with control switches in platform remote control box and also located at lower controls. U/L approved 5:BC dry chemical fire extinguisher installed in truck cab.

**Operators Manual & Video:** Two CDs and one printed copy of operation, maintenance, safety and parts manual provided with each unit. Operational and safety video provided at delivery.

**Installation:** Unit installed on truck, painted, system and tank filled with oil, tested, inspected, and ready to operate.

**Standard Paint:** Paint boom and turret red, outriggers red, and bed and boxes black. Top of bed painted with black nonskid surface.

**Bumper:** Bureau of Motor Carrier Safety rear bumper.

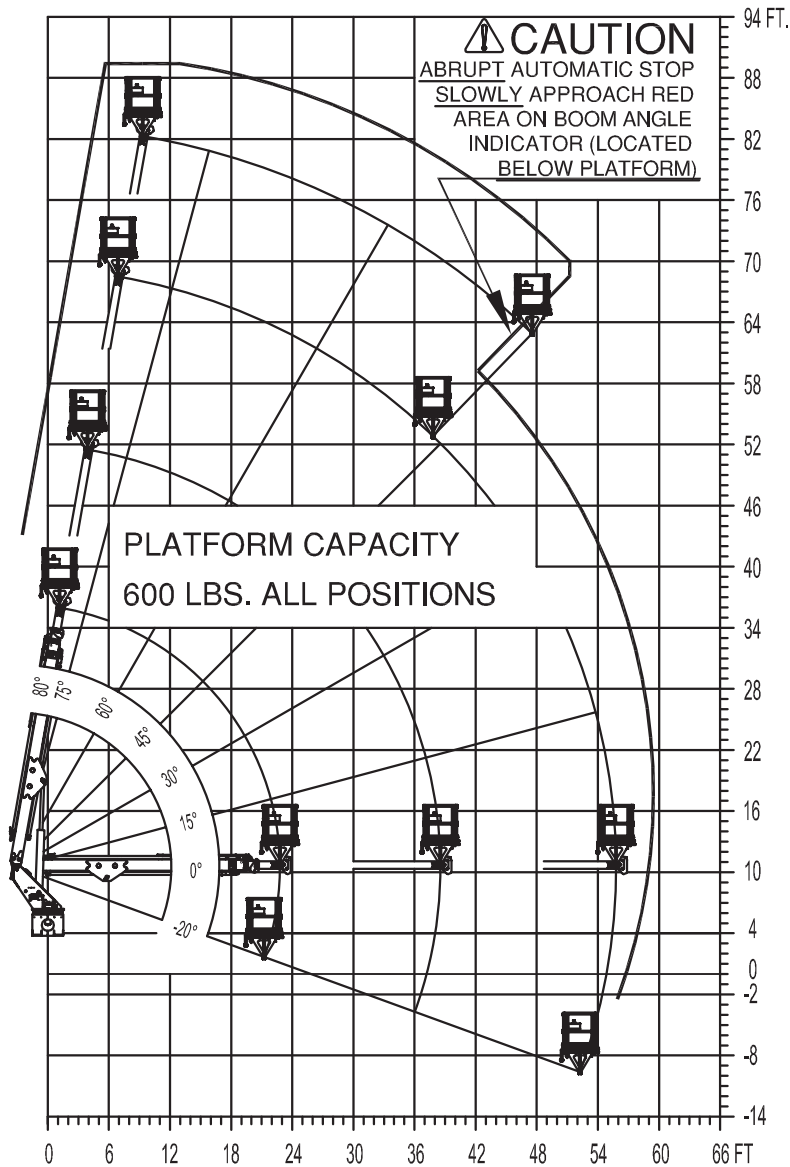
**Weight:** Approximately 18,500 lbs. with 26' steel-floor bed less truck.

**Truck Chassis Required:** Approx. 168" C.A., RBM 2,000,000 in-lb. per rail, 14,000 lb. front axle and 54,000 lb. GVWR required. Trucks must have front frame extensions, increased cooling, heavy-duty front and rear springs, 12V electrical system with high capacity alternator, cab clearance stop/tail/backup lights, and I.D. lamps. Recommended GVWR is minimum for HiReach with flatbed only. Contact factory when additional equipment is to be added.

Elliott Equipment Company reserves the right to change the specification of any unit at any time without prior notice. This brochure is only a statement of general specifications on the date of this publication. For more detailed info on specific Elliott trucks go to [www.elliottequip.com](http://www.elliottequip.com)

MAXIMUM RANGE CAPABILITIES

# PLATFORM WORKING RANGE MODEL I85



**ELLIOTT**  
EQUIPMENT COMPANY

DO NOT PAINT OVER ANY LABELS

1111460 041406

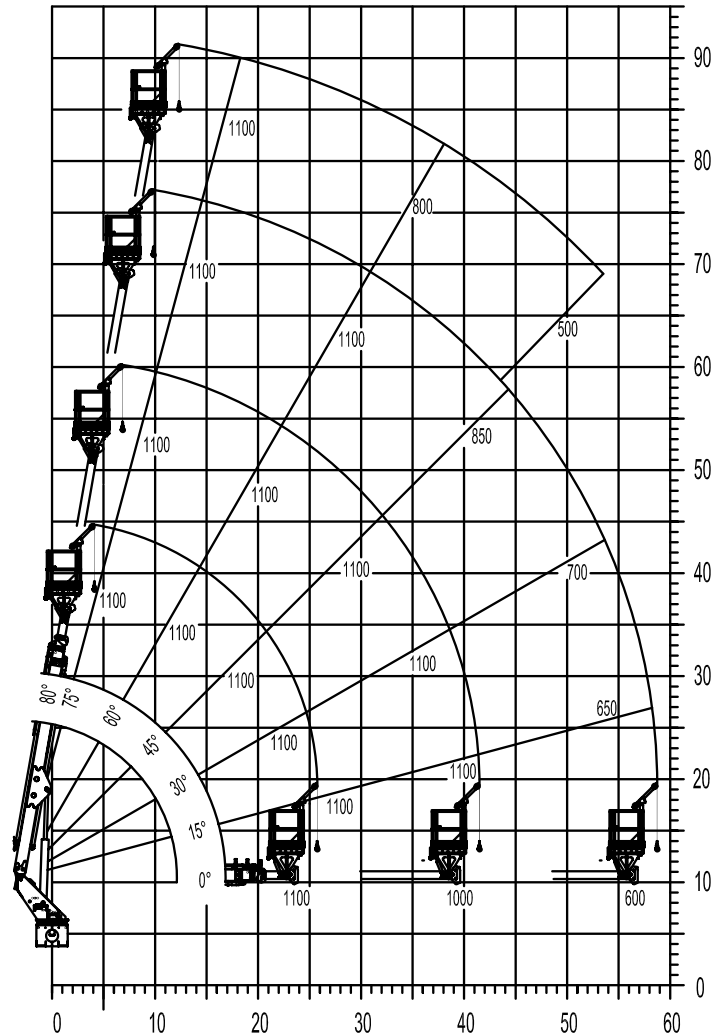
**MAXIMUM WORKING LOADS - JIB WINCH**

# MAXIMUM WORKING LOADS PLATFORM JIB OPERATION

## MODEL I85

TOTAL PLATFORM CAPACITY (JIB LOAD PLUS PERSONNEL)

USE OUTRIGGERS AT ALL TIMES • AVOID JERKING LOAD • 360° RADIUS



JIB 500 LBS. MAX. PERSONNEL 600 LBS. MAX.

**ELLIOTT**  
EQUIPMENT COMPANY

1192380 041013

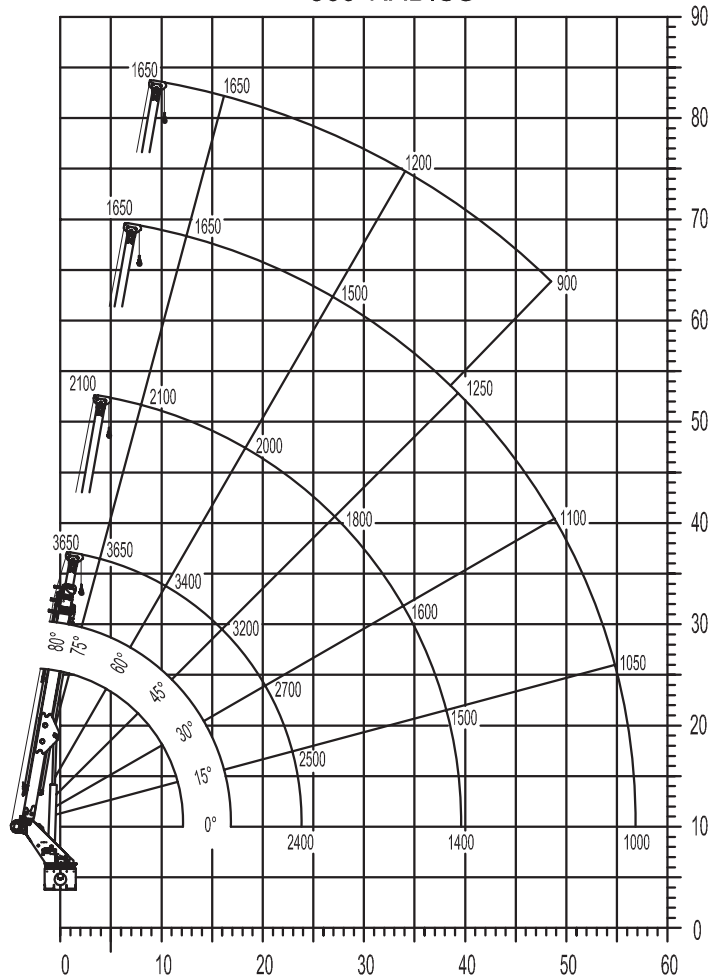


**MAXIMUM WORKING LOADS - MAIN WINCH**

**MAXIMUM WORKING LOADS  
CRANE OPERATION**

**MODEL I85**

WINCH LINE LOAD (POUNDS) WITH BUCKETS OR PLATFORM REMOVED  
USE OUTRIGGERS AT ALL TIMES • AVOID JERKING LOAD  
360° RADIUS



DEDUCT 400 POUNDS WITH BUCKETS OR PLATFORM ATTACHED



DO NOT PAINT OVER ANY LABELS

1111450 041406

## CHASSIS DATA

	I85F
Wheelbase (WB)	236" / 600 cm
Cab to Axle (CA)	168" / 427 cm
Cab to End of Frame (EOF)	315" / 800 cm
Frame Section Modulus	16.6 in3 / 120,000 psi
Front Axle Gross Weight Rating	14,000 lb / 6350 kg
Rear Axle Gross Weight Rating	40,000 lb / 18 144 kg
Extended Front Frame	Required for Front Stabilizer

Chassis data is minimum general requirements-not for engineering.  
Actual dimensions and truck data will depend on truck selection and axle configuration.

## OPTIONS



### Radio Remote Control

Interference protected radio remotes hard-wired to the platform let you get closer to your work and have full control over your machine.



### Material Handling Jib

Equip your HiReach platform with a material handling jib crane to handle up to 500 lbs. from within arm's reach.



### MH Outriggers With Shortjacking

Reduce outrigger spread with MH secondary outriggers and Elliott's Automatic Safety Rotation Lockout to operate your HiReach in confined spaces.



### Outrigger Pad Holders

Outrigger pad holders safely store your pads for travel and leave plenty of room for tool boxes.



### Bed Accessories

Mount a wide variety of tool accessories including welders, power washers, and generators on the bed with lines to the platform.



### Platform Accessories

Choose from a list of platform accessories including hydraulic accessory lines and a 3/8" air line to power tools from within the platform.



### Outrigger Extensions

Our pin-on outrigger extensions give you extra clearance for work on hills and around guardrails.



### Line Body

Let us work with you to customize a line body to secure your tools and supplies the the best way for your application.